

STATIC GROUNDING/BONDING REELS

BULLETIN SDR-103
KEY #U999827

ROTA-REEL® Grounding/Bonding Reels

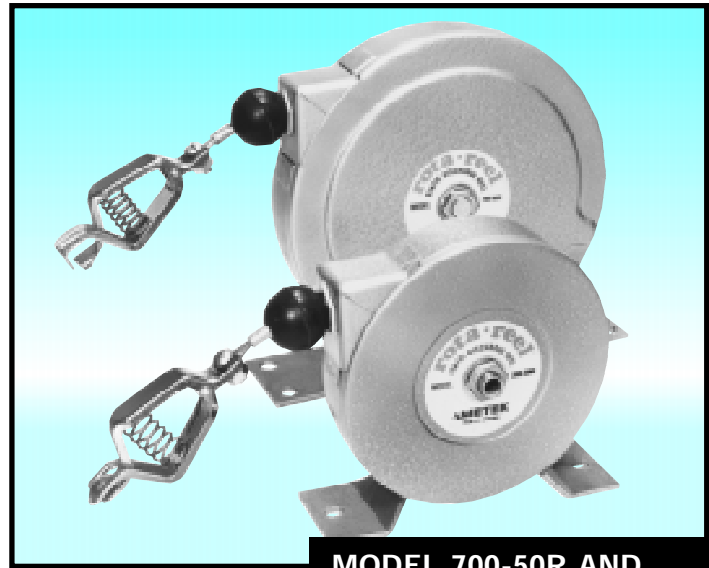
For General Applications

FEATURES

- ◆ Compact, Lightweight
- ◆ Automatic Retraction
- ◆ Weather Resistant Finish
- ◆ 100 Amp Alligator Clamp Termination

DESCRIPTION

Hunter Spring Static Grounding/Bonding Reels can be used when combustible materials are transferred between carriers. For use where a discharge of static electricity could cause a spark and subsequent explosion, such as bulk stations, airports, terminals and refineries. Built for reliable performance, Rota-Reel grounding reels feature a SPIR'ATOR® prestressed spiral spring for easy extension and automatic retraction. A pawl and ratchet permits you to lock the cable at any desired length. A simple tug on the cable unlocks the reel for smooth, steady retraction. The standard termination is a 100 amp alligator clamp. A ball stop on the cable assembly keeps the cable end within easy reach. Rota-Reel grounding reels feature a galvanized steel mounting base for installation in any position and a sturdy steel housing with a weather resistant finish to protect the reel from corrosion.



**MODEL 700-50R AND
MODEL 200-20R**

SPECIFICATIONS

CABLE LENGTH: Model 700-50R (50')
Model 200-20R (20')

CABLE CONSTRUCTION: 3/32" dia.,
7 x 7 galvanized carbon steel meeting
MIL spec W-83420

TERMINATION: 100 amp alligator-type
solid copper jaw grip (Mueller 21C,
4" length, 1-1/16" jaw opening—U.S. Govt.
Type PCL-1, Federal Spec W-C-440B)

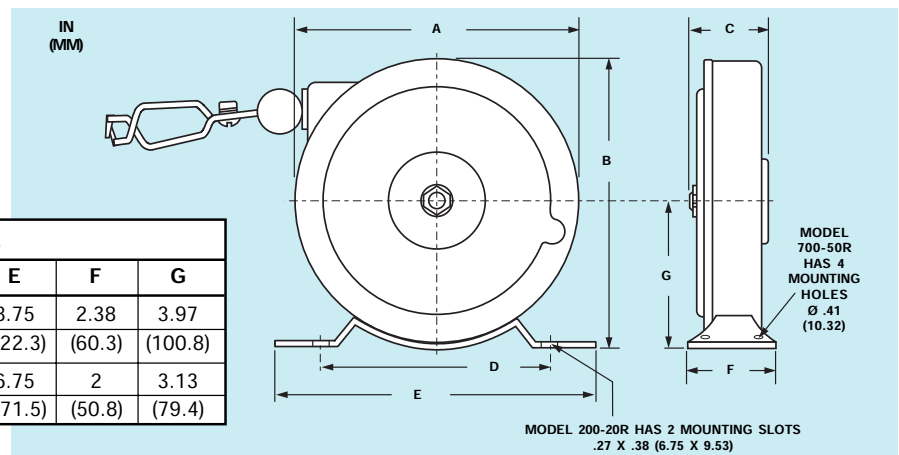
LIFE CYCLE: Tested to 5,000 cycles

HOUSING: Steel with red enamel

WEIGHT: Model 700-50R—5.5 lb.;
Model 200-20R—3.5 lb.

NOTE: Grounding and bonding during fuel handling operations can, at best, only prevent external electrical discharge in the presence of fuel vapor. It does not remove bulk charges from the fuel and cannot prevent internal explosions. To minimize the risk, the conductivity of the fuel should be increased.

DIMENSIONS



MODEL	DIMENSIONS						
	A	B	C	D	E	F	G
700-50R	7.84 (199.2)	7.81 (198.4)	2.13 (53.3)	7.88 (200)	8.75 (222.3)	2.38 (60.3)	3.97 (100.8)
200-20R	5.78 (146.8)	6.03 (153.2)	1.88 (47.6)	5.88 (149.2)	6.75 (171.5)	2 (50.8)	3.13 (79.4)