

STATIC GROUNDING/BONDING REELS

BULLETIN SDR-103
KEY #U999827

ROTA-REEL® Grounding/Bonding Reels

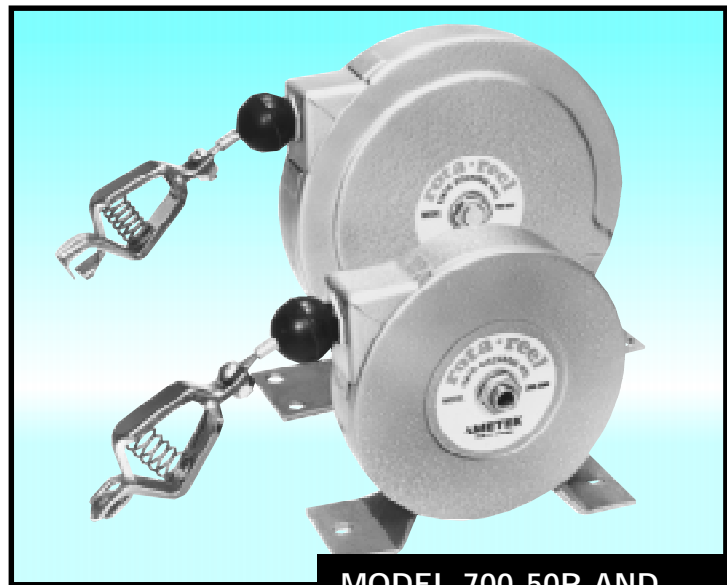
For General Applications

FEATURES

- ◆ Compact, Lightweight
- ◆ Automatic Retraction
- ◆ Weather Resistant Finish
- ◆ 100 Amp Alligator Clamp Termination

DESCRIPTION

Hunter Spring Static Grounding/Bonding Reels can be used when combustible materials are transferred between carriers. For use where a discharge of static electricity could cause a spark and subsequent explosion, such as bulk stations, airports, terminals and refineries. Built for reliable performance, Rota-Reel grounding reels feature a SPIR'ATOR® prestressed spiral spring for easy extension and automatic retraction. A pawl and ratchet permits you to lock the cable at any desired length. A simple tug on the cable unlocks the reel for smooth, steady retraction. The standard termination is a 100 amp alligator clamp. A ball stop on the cable assembly keeps the cable end within easy reach. Rota-Reel grounding reels feature a galvanized steel mounting base for installation in any position and a sturdy steel housing with a weather resistant finish to protect the reel from corrosion.



**MODEL 700-50R AND
MODEL 200-20R**

SPECIFICATIONS

CABLE LENGTH: Model 700-50R (50')
Model 200-20R (20')

CABLE CONSTRUCTION: 3/32" dia.,
7 x 7 galvanized carbon steel meeting
MIL spec W-83420

TERMINATION: 100 amp alligator-type
solid copper jaw grip (Mueller 21C,
4" length, 1-1/16" jaw opening—U.S. Govt.
Type PCL-1, Federal Spec W-C-440B)

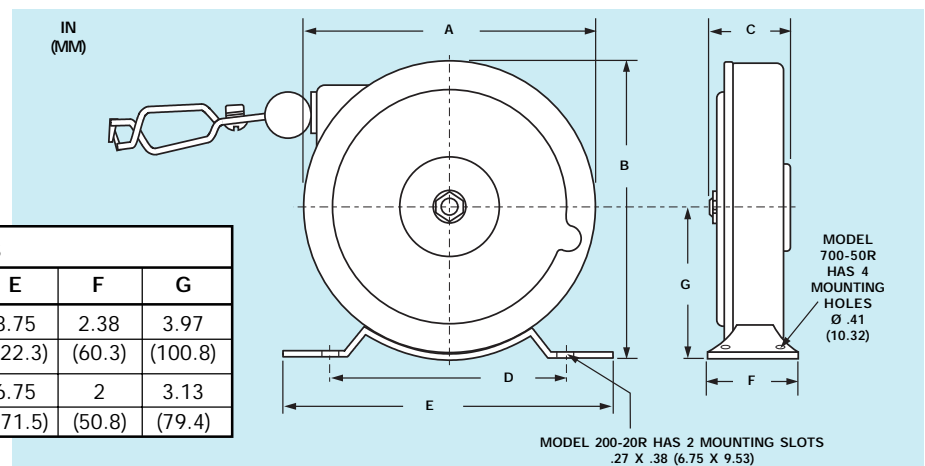
LIFE CYCLE: Tested to 5,000 cycles

HOUSING: Steel with red enamel

WEIGHT: Model 700-50R—5.5 lb.;
Model 200-20R—3.5 lb.

NOTE: Grounding and bonding during fuel handling operations can, at best, only prevent external electrical discharge in the presence of fuel vapor. It does not remove bulk charges from the fuel and cannot prevent internal explosions. To minimize the risk, the conductivity of the fuel should be increased.

DIMENSIONS



MODEL	DIMENSIONS						
	A	B	C	D	E	F	G
700-50R	7.84 (199.2)	7.81 (198.4)	2.13 (53.3)	7.88 (200)	8.75 (222.3)	2.38 (60.3)	3.97 (100.8)
200-20R	5.78 (146.8)	6.03 (153.2)	1.88 (47.6)	5.88 (149.2)	6.75 (171.5)	2 (50.8)	3.13 (79.4)

Static Bonding Reels

FEATURES

- ◆ For Heavy-Duty Applications
- ◆ Automatic Retraction
- ◆ Weather Resistant Finish
- ◆ 100 Amp Alligator Clamp Termination



DESCRIPTION

Hunter Spring Static Bonding Reels provide the automatic retraction and compact storage of 50, 75 and 100 foot cable and clamp assemblies. Designed to function under extreme environmental conditions, the 50 and 75 foot cable length models meet USAF Specification MIL-R-83232B.

By utilizing a SPIR'ATOR® spring, rather than a power spring, for extension and retraction, Hunter Spring Static Bonding Reels are smaller and lighter than the original military specifications. This reduced size and weight make Hunter Spring reels easier to locate and mount on vehicles. A patented latching mechanism holds the cable at any desired length. A slight pull on the

cable releases the mechanism causing retraction. Retraction need not be attended. The retraction speed is automatically governed by a special brake assembly designed to limit the retraction speed from two to seven feet per second. Steel components and a cantilever-type frame, which support the reel assembly, are designed to function under the most adverse conditions. Baked-on MIL spec red finish and gasketed drum construction protect operating parts from corrosion. Bearing surfaces are permanently lubricated.

SPECIFICATIONS

CABLE LENGTH:

Model ML-2930-46 (50')
 Model ML-2930-9 (75')
 Model ML-3416-7 (100')

CABLE DIAMETER:

50' and 75': 3/32" dia., 7 x 7 stainless steel, nylon jacketed to 1/8" total diameter*
 100': Same except galvanized steel*

CABLE CLAMP:

50' and 75': 100 amp alligator-type solid copper jaw grip (Mueller 21C, 4" length, 1-1/16" jaw opening—U.S. Govt. Type PCL-1, Federal Spec W-C-440B)*

100': 100 amp alligator-typed lead plated steel jaw grip (Mueller 11A, 6" length, 1-5/8" jaw opening)*

ELECTRICAL RESISTANCE: 10 ohms maximum between clamp and mounting base on all 3 models

LIFE CYCLE: Tested to 5,000 cycles

CABLE RETRACTION SPEED: 2-7 feet/second

FINISH: Conforms to MIL-Std 808, red paint, Film Designation DG

PACKAGING: Conforms to MIL-P 726, Unit Pack-Level A, Shipping Pack-Level B

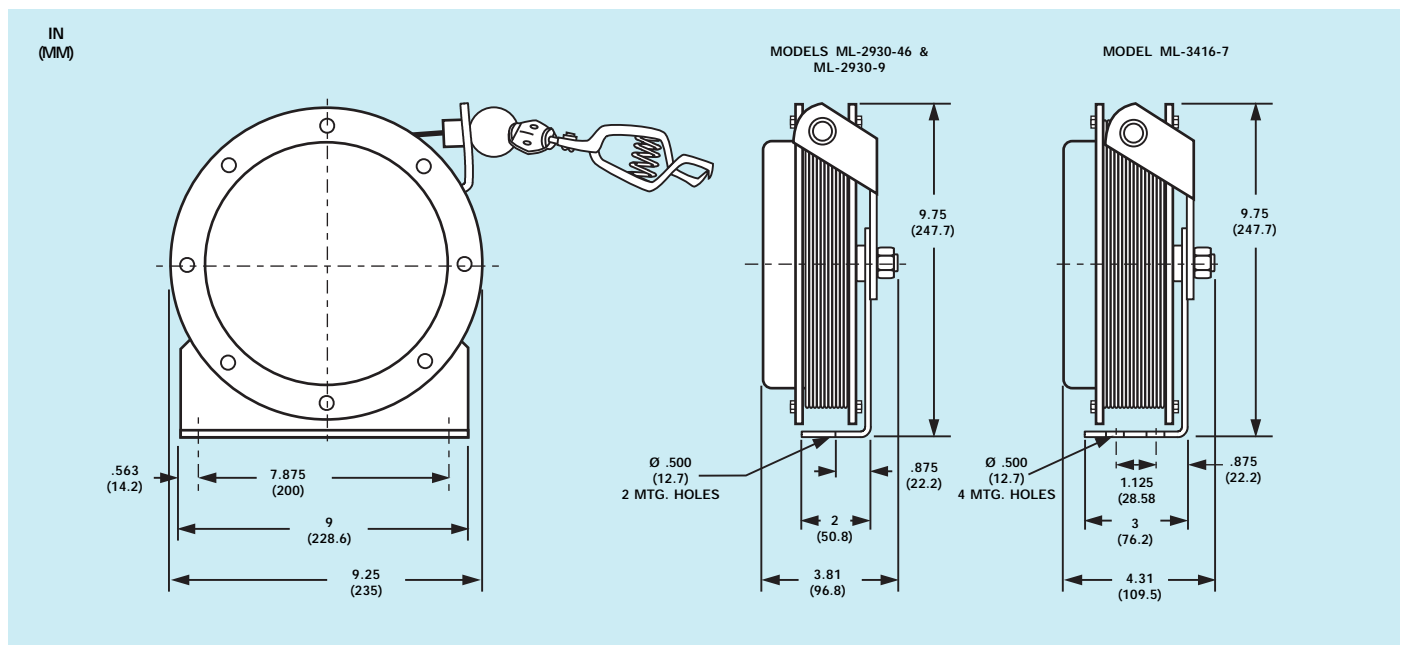
OPERATING TEMPERATURE RANGE: -65°F TO +125°F

STORAGE TEMPERATURE RANGE: -80°F TO +160°F

*Alternate cable lengths including wyes, cable diameters and cable hardware available on special order.

SPECIFICATIONS SUBJECT TO CHANGE WITHOUT NOTICE

DIMENSIONS



AMETEK®

U.S. GAUGE • HUNTER SPRING PRODUCTS

900 CLYMER AVENUE • SELLERSVILLE, PENNSYLVANIA 18960 U.S.A.
 TEL: (215) 257-6531 • FAX: (215) 257-3058 • www.ametekusg.com

© 1999, by AMETEK, Inc. All rights reserved.
 2.5M399L (160038)



Printed in the U.S.A.
 on recycled paper